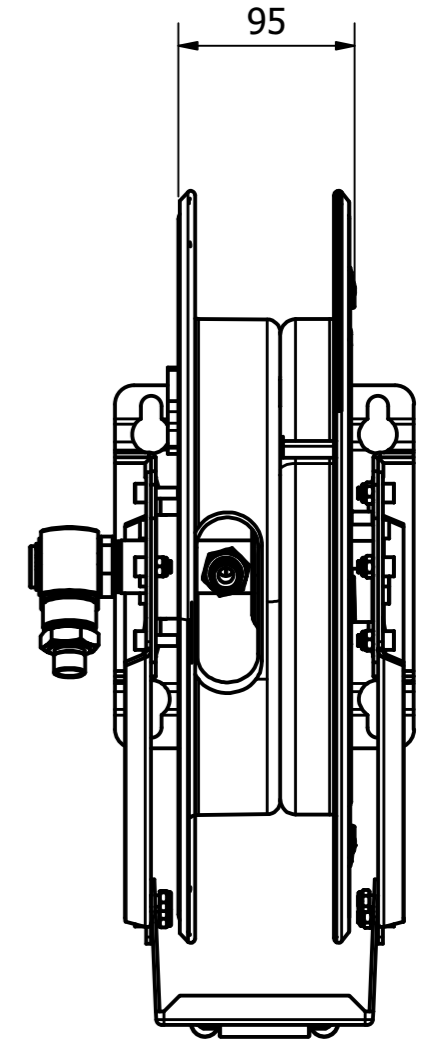
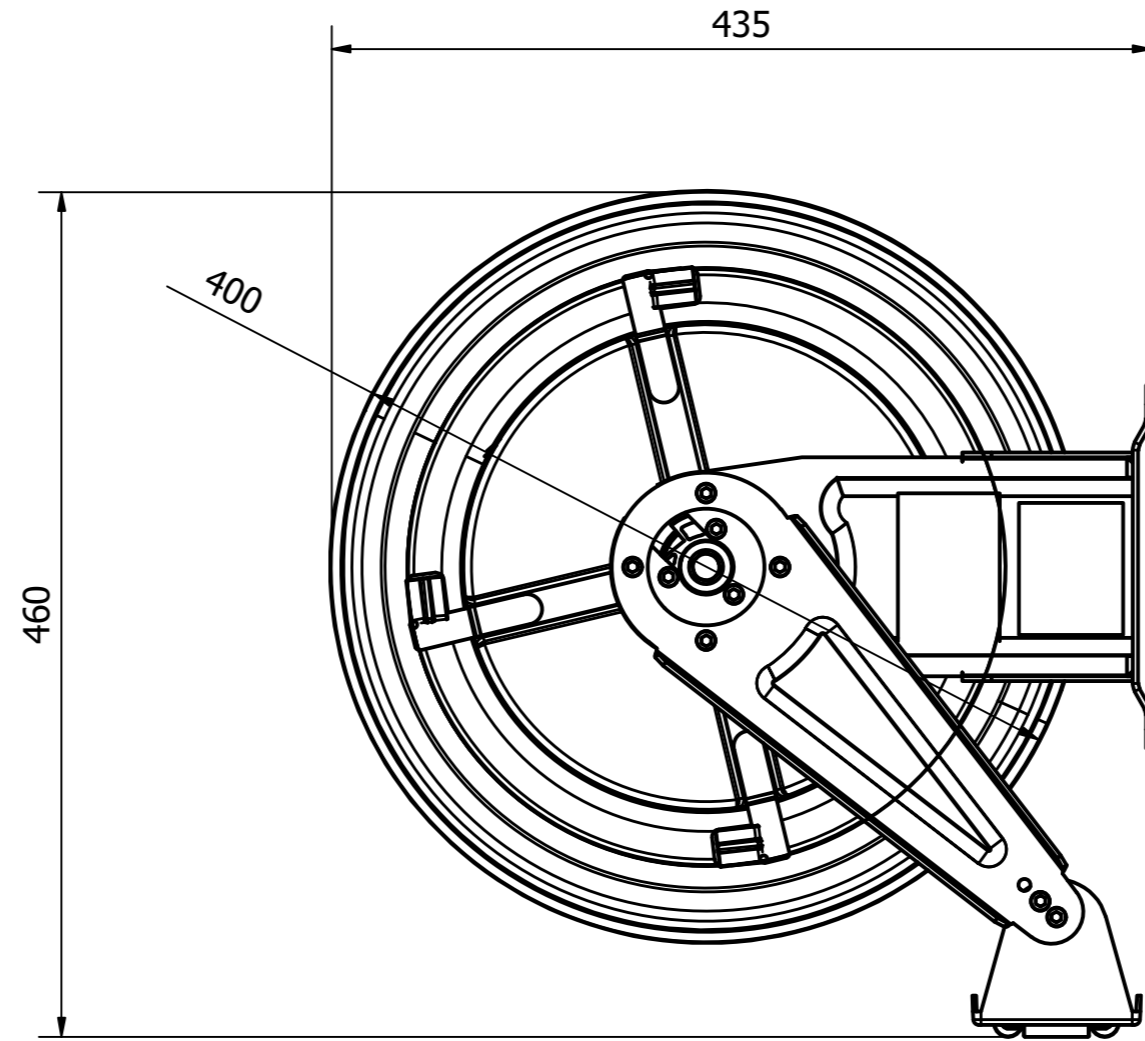
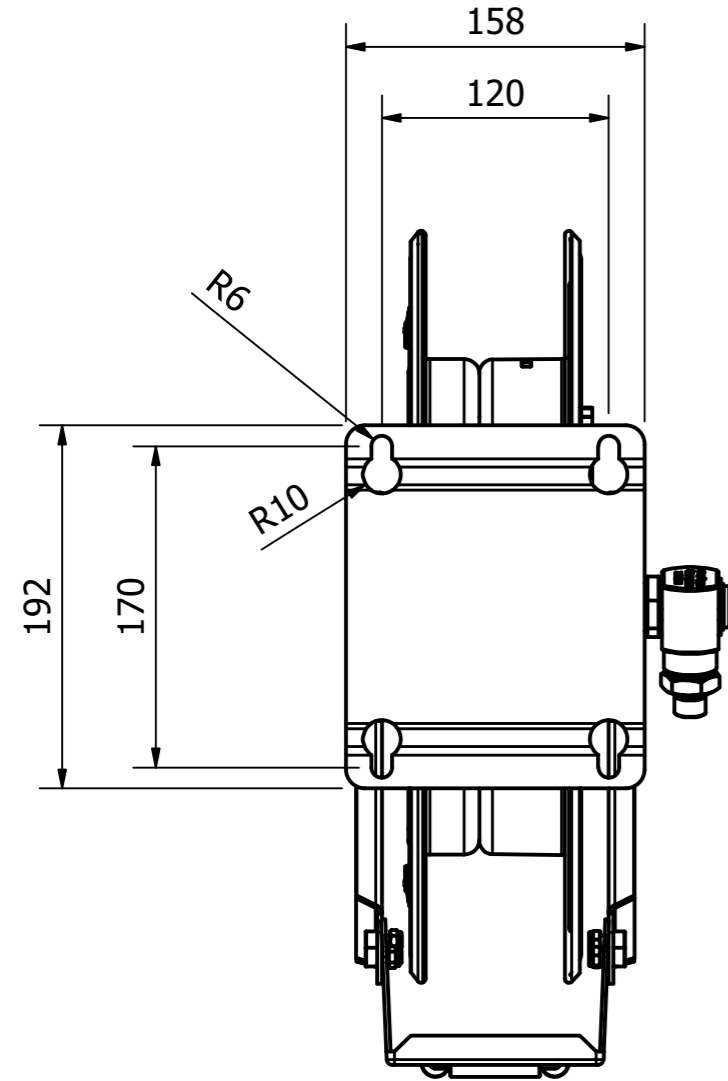
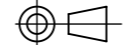


| REVISION | | |
|----------|-------------|------|
| REV. | DESCRIPTION | DATE |
| | | |



| | |
|-------------|--|
| MATERIAL: | |
| FINISH: | |
| SCALE: | 1:5 AT A3 © ALL INTELLECTUAL PROPERTY RIGHTS RESERVED |
| TOLERANCES: | DIMENSIONS 2 DECIMAL PLACES (10.00) ±0.1mm DIMENSIONS 1 DECIMAL PLACE (10.0) ±0.2mm DIMENSIONS 0 DECIMAL PLACES (10.) ±0.5mm |



ReCoila
 Unit 1/10 Melissa Place
 Kings Park NSW 2148
 Australia
 WWW.RECOILA.COM

Ph: 61 2 9621 8988
 Fx: 61 2 9621 7688
 sales@recoila.com

| | |
|-----------------------------|--|
| ISSUED FOR: REFERENCE | APPROVED: |
| MODEL F-400 / FX-400 | |
| DRAWING: - .0 | NUMBER - PART REV . DWG REV DATE 22/06/2021 |
| SHEET 1 OF 1 | |